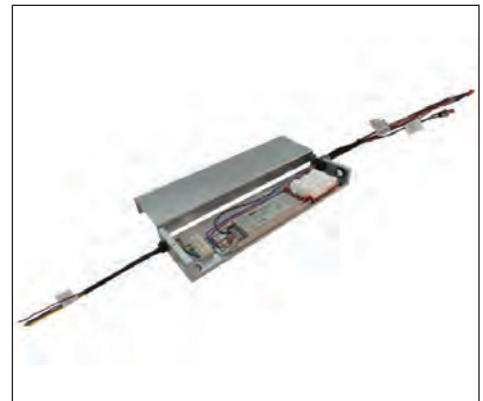


EMLED-2.4W-3H-60V 40PL

PHOTO

QUICK FACTS

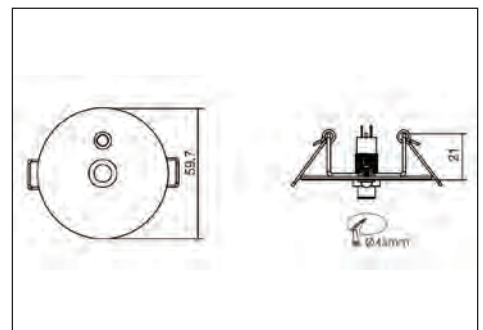
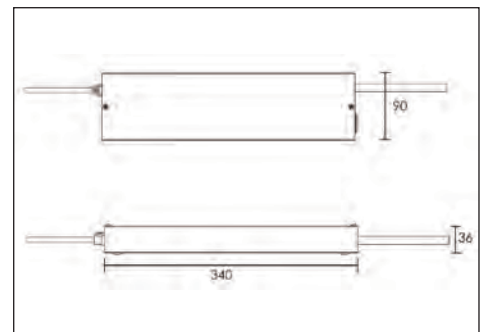
Safe Operation Temperature	0°C to 50°C
Suits	Galaxy0312/Galaxy0606
LED Driver	HN-1440W-1050
Input voltage	220-240V
Output current	1050mA
Output voltage	13-38V
Power factor	0.95
No-load power	<0.5W



PRODUCT SPECIFICATIONS

LED Emergency inverter	
Rated supply voltage	220-240V
Frequency	50/60Hz
Input current	40mA
Input power	4W
Power factor	0.5C
Charge current	200mA
Recharge hours	20h
EM LED current LED	40 -400mA
EM LED voltage	6-60V
EM LED power LED	2.4W
Max. casing temperature tc	70 °C
Battery type	Ni-Cd 3.6V 3.0Ah

DIMENSIONS



Subject to change without notice, errors and omission excepted. Always make sure to use the most recent release.